

Induction motor

Technical Parameters



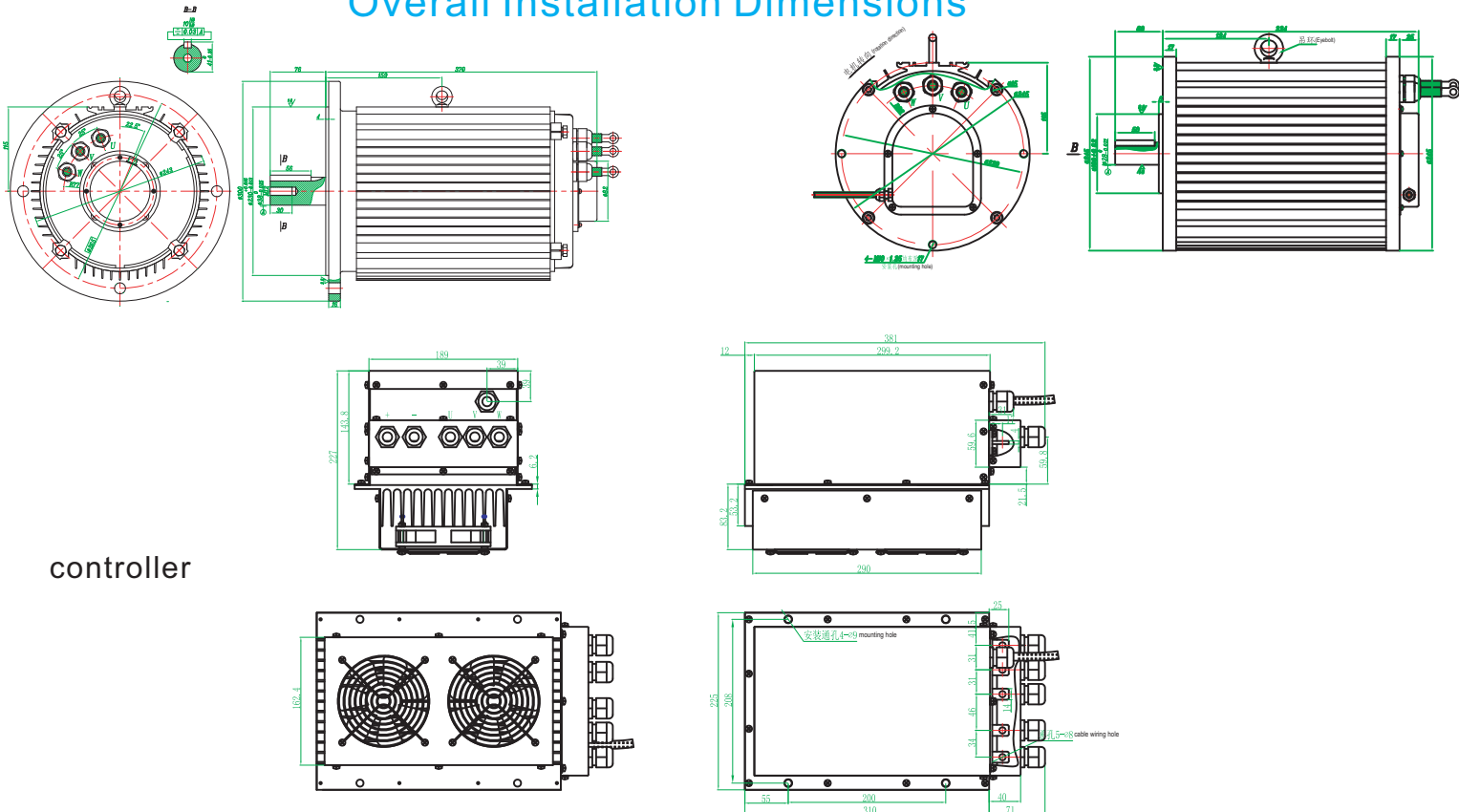
motor



controller

	Motor (IM)	controller	Battery volts	Max torque Nm	Rated torque Nm	Max Power kW	Rated Power kW	Max speed rpm
1	AIM-3	AC-8	48	60	17	6	3	4500
2	AIM-4	AC-10	72	60	17	8	4	5600
3	AIM-5	AC-12	72	100	32	10	5	4500
4	AIM-7.5	AC-15	72	100	32	15	7.5	5600
5	AIM-7.5	AC-18	72	150	48	15	7.5	4500
6	AIM-6.5	AC-13	96	100	32	13	6.5	5600
7	AIM-10	AC-30	96	100	32	20	10	5600
8	AIM-10	AC-30	96	150	48	20	10	5600
9	AIM-8.5	AC-26	120	100	32	17	8.5	5600
10	AIM-10	AC-30	144	100	32	20	10	5600
11	AIM-15	AC-35	144	150	48	30	15	5600

Overall Installation Dimensions



controller

M&C[®]
ELECTRIC POWER

CHINA ELECTRIC MOTOR ASSOCIATION
GUANGDONG M&C ELECTRIC POWER CO.,LTD

Add:3/f Dizhi Building No.739 Dongfeng Rd.E Guangzhou China

Tel.: 0086-20-89660216

Fax.: 0086-20-89660219

P.C.: 510080

E-mail: mc@china-electricmotor.com

Website: <http://www.china-electricmotor.com>